

BALDOR® • RELIANCE 

Product Information Packet

EFM2535T

30HP, 1775RPM, 3PH, 60HZ, 286T, 4060M, OPSB, F2

| Part Detail | | | | | | | |
|-------------|--------|-------------|------------|-------------|--------|---------------|------------|
| Revision: | G | Status: | PRD/A | Change #: | | Proprietary: | No |
| Type: | AC | Elec. Spec: | 40WGX339 | CD Diagram: | CD0005 | Mfg Plant: | |
| Mech. Spec: | 40E402 | Layout: | 40LYE402 | Poles: | 04 | Created Date: | 06-10-2016 |
| Base: | RG | Eff. Date: | 01-12-2021 | Leads: | 9#8 | | |

| Specs | | | |
|---------------------------------|-------------------------|--------------------------------|-----------------------|
| Catalog Number: | EFM2535T | Insulation Class: | F |
| Enclosure: | OPSB | Inverter Code: | Inverter Ready |
| Frame: | 286T | KVA Code: | H |
| Frame Material: | Steel | Lifting Lugs: | Standard Lifting Lugs |
| Output @ Frequency: | 30.000 HP @ 60 HZ | Locked Bearing Indicator: | Locked Bearing |
| Synchronous Speed @ Frequency: | 1800 RPM @ 60 HZ | Motor Lead Quantity/Wire Size: | 9 @ 8 AWG |
| Voltage @ Frequency: | 460.0 V @ 60 HZ | Motor Lead Exit: | Ko Box |
| | 230.0 V @ 60 HZ | Motor Lead Termination: | Flying Leads |
| Agency Approvals: | CSA | Motor Type: | 4060M |
| | CSA EEV | Mounting Arrangement: | F2 |
| | UR | Power Factor: | 82 |
| Auxillary Box: | No Auxillary Box | Product Family: | General Purpose |
| Auxillary Box Lead Termination: | None | Pulley End Bearing Type: | Ball |
| Base Indicator: | Rigid | Pulley Face Code: | Standard |
| Bearing Grease Type: | Polyrex EM (-20F +300F) | Pulley Shaft Indicator: | Standard |
| Blower: | None | Rodent Screen: | Included |
| Current @ Voltage: | 76.000 A @ 208.0 V | Shaft Extension Location: | Pulley End |
| | 72.000 A @ 230.0 V | Shaft Ground Indicator: | No Shaft Grounding |

| | | | |
|---------------------------------------|---------------------------|------------------------------------|---------------------|
| | 36.000 A @ 460.0 V | Shaft Rotation: | Reversible |
| Design Code: | A | Shaft Slinger Indicator: | No Slinger |
| Drip Cover: | No Drip Cover | Speed Code: | Single Speed |
| Duty Rating: | CONT | Motor Standards: | NEMA |
| Electrically Isolated Bearing: | Not Electrically Isolated | Starting Method: | Direct on line |
| Feedback Device: | NO FEEDBACK | Thermal Device - Bearing: | None |
| Front Face Code: | Standard | Thermal Device - Winding: | None |
| Front Shaft Indicator: | None | Vibration Sensor Indicator: | No Vibration Sensor |
| Heater Indicator: | No Heater | Winding Thermal 1: | None |
| | | Winding Thermal 2: | None |

| | | | | | | | | | | | | |
|--------------------------|--------------|-----------|-----------|-----------------------|-----------------|--------------|------------|------------------|------------|--|---------------|------|
| Nameplate NP2138L | | | | | | | | | | | | |
| CAT.NO. | EFM2535T | | | P/N | | | | ENCLOSURE | OPSB | | | |
| SPEC. | 40E402X339 | | CC | 010A | | FRAME | 286T | | S/N | | | |
| HP | 30 | | | CLASS | F | | HZ | 60 | | | | |
| RPM | 1775 | | | PH | 3 | | DES | A | | | | |
| VOLT | 230/460 | | | | KVA-CODE | H | | ODE BRG | 6309 | | DE BRG | 6311 |
| AMP | 72/36 | | | USABLE AT 208V | 76 | | | | | | | |
| RATING | 40C AMB-CONT | | | | GREASE | POLYREX EM | | | | | | |
| NEMA-NOM-EFF | 94.1 | PF | 82 | SER.F. | 1.15 | | | | | | | |
| HTR-VOLTS | | | | HTR-AMPS | | | | | | | | |

| Parts List | | |
|-------------|--|----------|
| Part Number | Description | Quantity |
| SA321934 | SA 40E402X339 | 1.000 EA |
| RA309708 | RA 40E402X339 | 1.000 EA |
| HA6361A01 | LIFTING LUG FOR 37, 39 & 40 FRAME ZINC | 2.000 EA |
| HA6017 | CAST ADAPTER, 40,42 KOBX | 1.000 EA |
| 19XW3118A12 | .31-18 X .75 HEX WASHER HEAD TAPTITE II | 2.000 EA |
| HW1001A31 | LOCKWASHER 5/16, ZINC PLT.591 OD, .319 I | 2.000 EA |
| WD1000B25 | GND LUG, BURNDY L125HP OR T&B L125HP-BB | 1.000 EA |
| 19XW3118G08 | .31-18X.50,HEX WSHR HD,TAPTITE 2,GREEN | 1.000 EA |
| 10CB3000SP | KOBX, CAST W/2.00 LEAD HOLE | 1.000 EA |
| 19XW3118A12 | .31-18 X .75 HEX WASHER HEAD TAPTITE II | 4.000 EA |
| HW1001A31 | LOCKWASHER 5/16, ZINC PLT.591 OD, .319 I | 4.000 EA |
| 40EP3200A02 | STD FREP OPEN 309 BRG | 1.000 EA |
| HA1166A02 | RODENT SCREEN FOR 40 ENDPLATE 40EP1300A. | 1.000 EA |
| 51XW1032A06 | 10-32 X .38, TAPTITE II, HEX WSHR SLTD S | 4.000 EA |
| HW5100A11 | W3917-042 WVY WSHR (WB) | 1.000 EA |
| 40EP3200B05 | STD PUEP OPEN 311 BRG | 1.000 EA |
| HA1166A02 | RODENT SCREEN FOR 40 ENDPLATE 40EP1300A. | 1.000 EA |
| 51XW1032A06 | 10-32 X .38, TAPTITE II, HEX WSHR SLTD S | 4.000 EA |
| XY3816A12 | 3/8-16 FINISHED NUT | 8.000 EA |
| 10CB3500SP | CONDUIT BOX LID, CAST | 1.000 EA |
| 51XW2520A12 | .25-20 X .75, TAPTITE II, HEX WSHR SLTD | 4.000 EA |
| HW2501H28 | KEY, 1/2 SQ X 3.250 | 1.000 EA |
| LB1115N | LABEL,LIFTING DEVICE (ON ROLLS) | 1.000 EA |
| HW4500A03 | GREASE FITTING, .125 NPT 1610(ALEMITE) 8 | 1.000 EA |

| Parts List (continued) | | |
|------------------------|--|----------|
| Part Number | Description | Quantity |
| HW4500A20 | 1/8NPT SL PIPE PLUG | 1.000 EA |
| HA4051A00 | PLASTIC CAP FOR GREASE FITTING | 1.000 EA |
| MJ1000A02 | GREASE, MOBIL POLYREX EM - 124047 | 0.050 LB |
| HW4500A03 | GREASE FITTING, .125 NPT 1610(ALEMITE) 8 | 1.000 EA |
| HW4500A20 | 1/8NPT SL PIPE PLUG | 1.000 EA |
| HA4051A00 | PLASTIC CAP FOR GREASE FITTING | 1.000 EA |
| MG1000Y03 | MUNSELL 2.53Y 6.70/ 4.60, GLOSS 20, | 0.070 GA |
| 85XU0407S04 | 4X1/4 U DRIVE PIN STAINLESS | 4.000 EA |
| 40AD2002A01 | LEXAN BAFFLE 40 FR OPEN | 1.000 EA |
| 40AD2002A01 | LEXAN BAFFLE 40 FR OPEN | 1.000 EA |
| HA3154A06 | THRUBOLT STUD 3/8-16 X 19.500 | 4.000 EA |
| LB1119N | WARNING LABEL | 1.000 EA |
| LC0005 | CONN.DIA.,TY M,9-LD,DUAL VOLT,REVERSING | 1.000 EA |
| NP2138L | ALUM SUPER-E UL CSA-EEV PREM CC (300 | 1.000 EA |
| 40PA1000 | PACKAGING GROUP | 1.000 EA |
| MN416A01 | TAG-INSTAL-MAINT no wire (1200/bx) 3/19 | 1.000 EA |

| Accessories | | |
|--------------------|--------------------|-------------------|
| Part Number | Description | Multiplier |
| 40-1400 | C FACE KIT | A8 |

AC Induction Motor Performance Data

Record # 56978

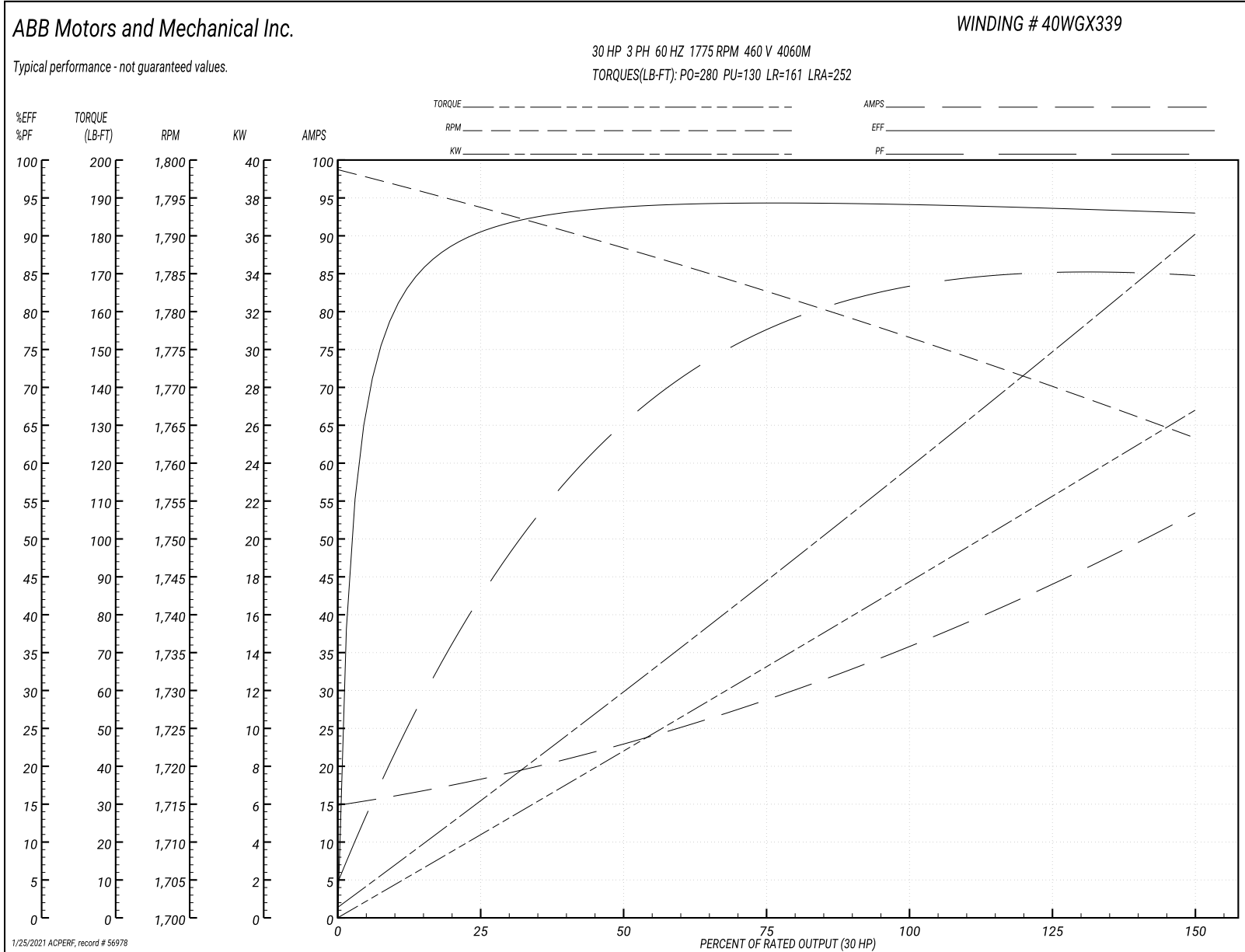
Typical performance - not guaranteed values

| Winding: 40WGX339-R001 | | Type: 4060M | Enclosure: OPSB | |
|------------------------|-------------------|---------------------------|--|--|
| Nameplate Data | | | 460 V, 60 Hz: High Voltage Connection | |
| Rated Output (HP) | 30 | Full Load Torque | 88.8 LB-FT | |
| Volts | 230/460 | Start Configuration | direct on line | |
| Full Load Amps | 72/36 | Breakdown Torque | 280 LB-FT | |
| R.P.M. | 1775 | Pull-up Torque | 130 LB-FT | |
| Hz | 60 Phase | Locked-rotor Torque | 161 LB-FT | |
| NEMA Design Code | A KVA Code | Starting Current | 252 A | |
| Service Factor (S.F.) | 1.15 | No-load Current | 15.4 A | |
| NEMA Nom. Eff. | 94.1 Power Factor | Line-line Res. @ 25°C | 0.22043 Ω | |
| Rating - Duty | 40C AMB-CONT | Temp. Rise @ Rated Load | 29°C | |
| S.F. Amps | | Temp. Rise @ S.F. Load | 35°C | |
| | | Locked-rotor Power Factor | 31.4 | |

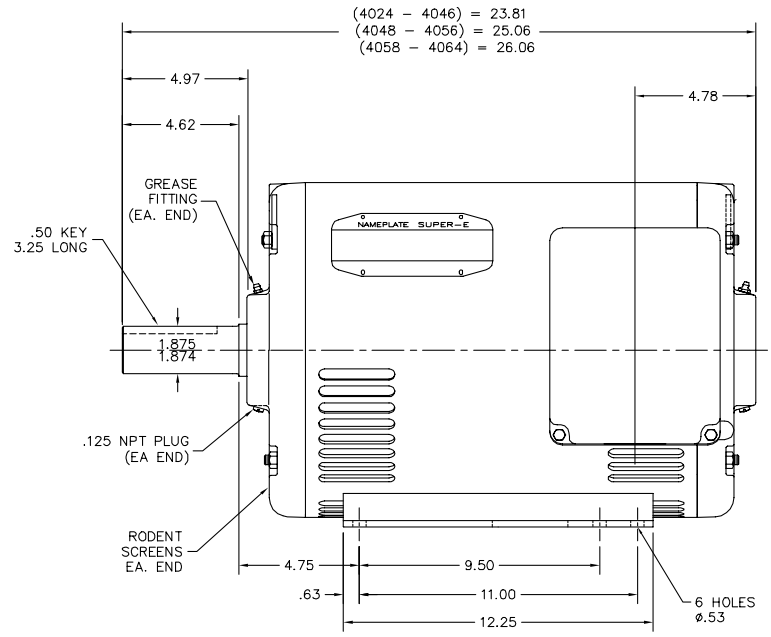
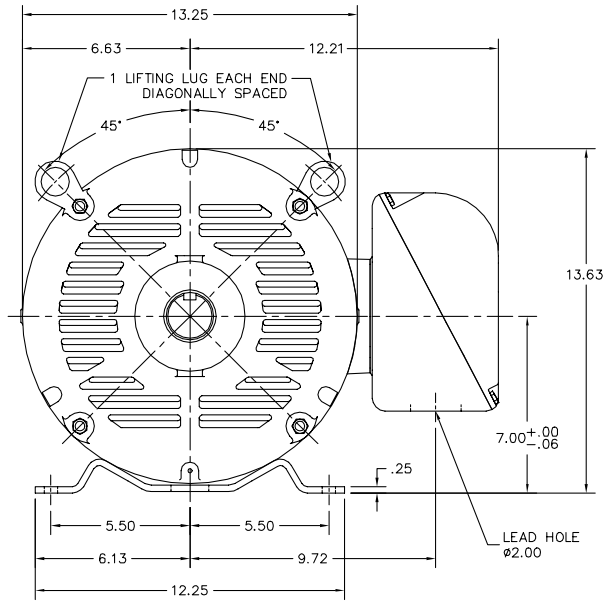
Load Characteristics 460 V, 60 Hz, 30 HP

| % of Rated Load | 25 | 50 | 75 | 100 | 125 | 150 | S.F. |
|-----------------|--------|--------|--------|--------|--------|--------|------|
| Power Factor | 44 | 67 | 77 | 82 | 85 | 85 | 84 |
| Efficiency | 90.5 | 93.8 | 94.4 | 94.3 | 93.9 | 93.2 | 94.1 |
| Speed | 1793.6 | 1788.1 | 1782.5 | 1776.9 | 1770.4 | 1763.1 | 1773 |
| Line amperes | 17.7 | 22.5 | 29 | 36.3 | 44.3 | 53 | 41.1 |

Performance Graph at 460V, 60Hz, 30.0HP Typical performance - Not guaranteed values



40LYE402



40LYE402

CUSTOMER IS RESPONSIBLE FOR DETERMINING THAT BALDOR'S PRODUCT WILL PERFORM SUITABLY IN THE INTENDED APPLICATION.

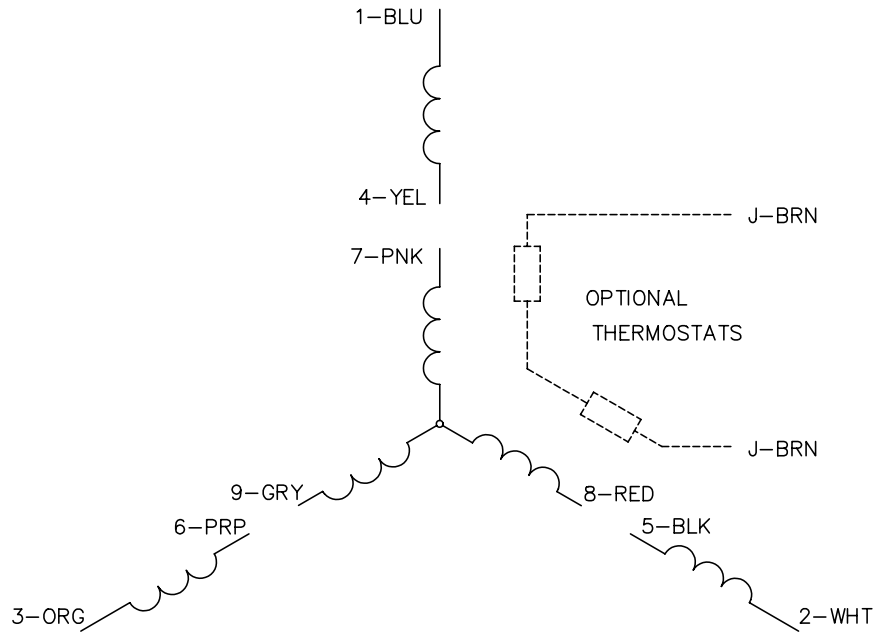
| | | |
|---------------------------------------|-----------------------------|-------------------|
| REV. DESC: REMOVED RET.HOLES GRAPHICS | VERSION: 01 | TDR: 000000990877 |
| REV. LTR: A | REVISD: 10:36:17 08/01/2016 | BY: ENNINDO |
| FILE: \AAA\00227\504 | | |
| MTL: - | | |

BALDOR

HORZ OPSB 284-6T F2 SUPER E W/RODENT SCREENS

SH 1 of 1

CD0005

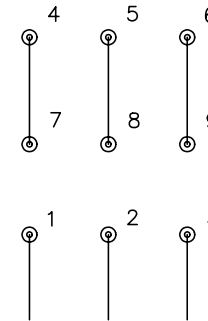


LOW VOLTAGE
(2Y)



LINE

HIGH VOLTAGE
(1Y)



LINE

NOTES:

1. INTERCHANGE ANY TWO LINE LEADS TO REVERSE ROTATION.
2. OPTIONAL THERMOSTATS ARE PROVIDED WHEN SPECIFIED.
3. ACTUAL NUMBER OF INTERNAL PARALLEL CIRCUITS MAY BE A MULTIPLE OF THOSE SHOWN ABOVE.
4. LEAD COLORS ARE OPTIONAL. LEADS MUST ALWAYS BE NUMBERED AS SHOWN.

| | | | |
|---|---------|-------------------------|--------------|
| REV. DESC: REVISE TO SHOW OPTIONAL COLORS | | | |
| REV. LTR: E | BY: JLP | REVISED: 01/19/99 10:15 | TDR: 0171435 |
| 900000 | | FILE: AAA00005140 | MDL: - |
| | | MTL: - | |

BALDOR ELECTRIC Co.

3PH, DV, 9 LEADS

CD0005

Marketing maintained PDF of MN416:

<http://www.baldor.com/support/Literature/Load.ashx/MN416?ManNumber=MN416>